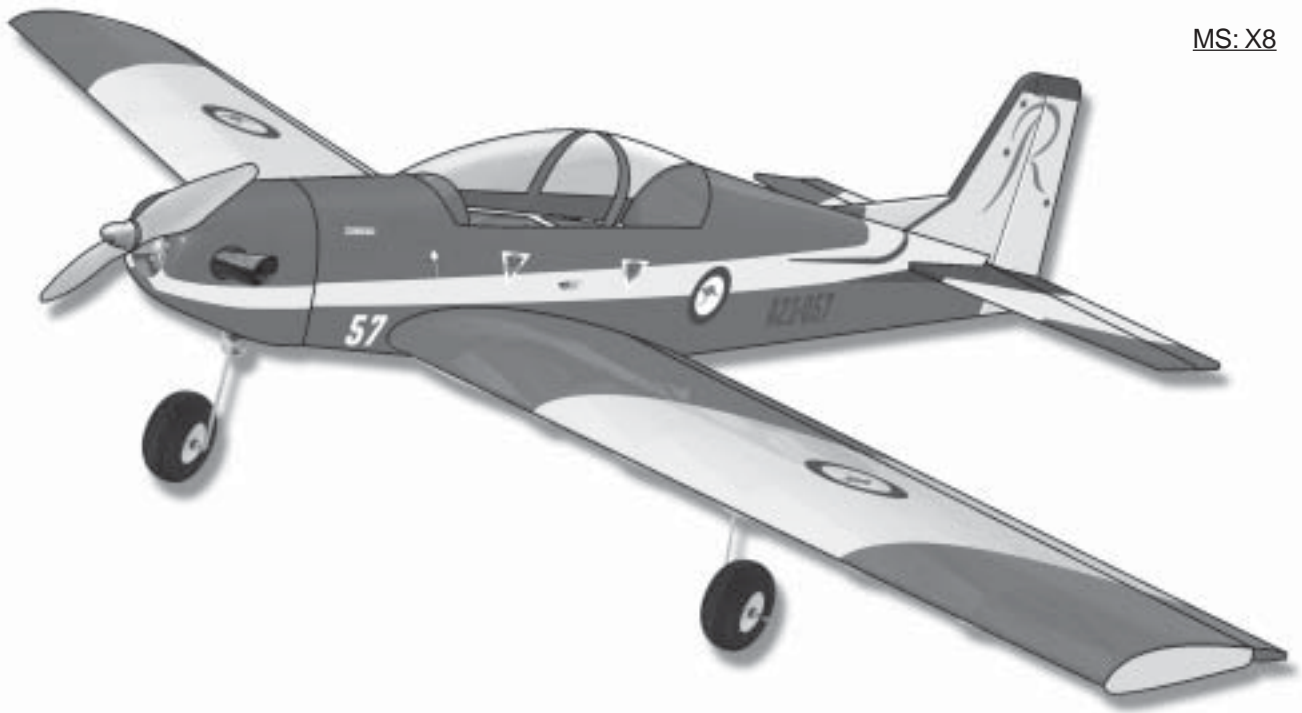


PC-9

ALMOST READY TO FLY

MS: X8



SEAGULL^{EP}

Specifications

Wing Span ----- 49.6 in ----- 126cm.
Wing Area ----- 454.2 sq in ----- 29.3 sq dm.
Weight ----- 1.9-2.6 lbs ----- 850-1200 g.
Length ----- 37.7 in ----- 95.7cm.
Radio ----- 4 channel with 4 sub-micro servos.
Motor size ----- Himark Outrunner C3522-990.

Need to Complete

Speed Control: SJ Conquest 35 or 45 amp.

Recommended Battery 3-cell 11.1V 2200mAh to 3200mAh Li-Po.

Kit features.

- Ready-made—minimal assembly & finishing required.
- Ready-covered covering.
- Photo-illustrated step-by-step Assembly Manual.

Made in Vietnam.

INTRODUCTION.

Thank you for choosing the **EP-PC9** ARTF by SEAGULL EP. The **EP-PC9** was designed with the intermediate/advanced sport flyer in mind. It is a semi scale airplane which is easy to fly and quick to assemble. The airframe is conventionally built using balsa, plywood to make it stronger than the average ARTF, yet the design allows the aeroplane to be kept light. You will find that most of the work has been done for you already. Flying the **EP-PC9** is simply a joy.

This instruction manual is designed to help you build a great flying aeroplane. Please read this manual thoroughly before starting assembly of your **EP-PC9**. Use the parts listing below to identify all parts.

WARNING.

Please be aware that this aeroplane is not a toy and if assembled or used incorrectly it is capable of causing injury to people or property. WHEN YOU FLY THIS AEROPLANE YOU ASSUME ALL RISK & RESPONSIBILITY.

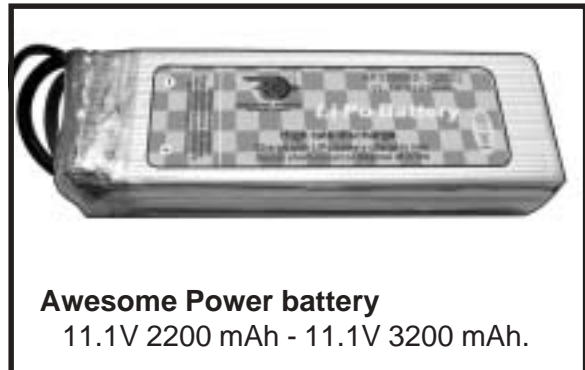
If you are inexperienced with basic R/C flight we strongly recommend you contact your R/C supplier and join your local R/C Model Flying Club. R/C Model Flying Clubs offer a variety of training procedures designed to help the new pilot on his way to successful R/C flight. They will also be able to advise on any insurance and safety regulations that may apply.

ADDITIONAL ITEMS REQUIRED.

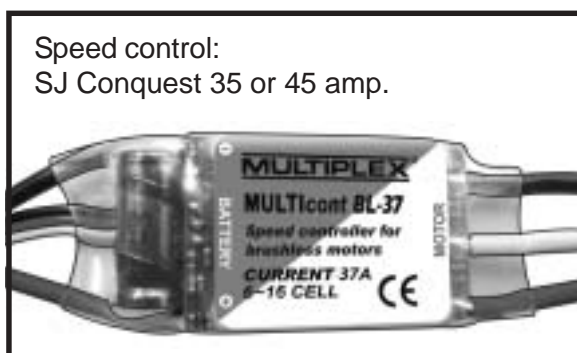
- Motor: Himark outrunner
C3522-990



- Battery: Awesome Power battery
11.1V 2200 mAh - 11.1V 3200 mAh.



- Speed control: 35A to 45A.



- Radio with four sub-micro servos.

TOOLS & SUPPLIES NEEDED.

- Thick cyanoacrylate glue.
- 30 minute epoxy.
- 5 minute epoxy.
- Hand or electric drill.
- Assorted drill bits.
- Modelling knife.
- Straight edge ruler.
- 2mm ball driver.
- Phillips head screwdriver.
- 220 grit sandpaper.
- 90° square or builder's triangle.
- Wire cutters.
- Masking tape & T-pins.
- Thread-lock.
- Paper towels.

NOTE: To avoid scratching your new aeroplane we suggest that you cover your workbench with an old towel. Keep a couple of jars or bowls handy to hold the small parts after you open the bags.

Please trial fit all parts. Make sure you have the correct parts and that they fit and are aligned properly before gluing! This will ensure proper assembly as the **EP PC9** is made from natural materials and minor adjustments may have to be made.

The paint and plastic parts used in this kit are fuel proof. However, they are not tolerant of many harsh chemicals including the following: paint thinner, cyano-acrylate glue accelerator, cyanoacrylate glue de-bonder and acetone. Do not let these chemicals come in contact with the colours on the covering and the plastic parts.

FOR USA MARKET ONLY.

Please contact Horizon Hobby for product support and technical assistance at **877-504-0233**. Replacement parts are available from your local dealer or through Horizon Hobby.

HORIZON HOBBY DISTRIBUTIONS INC

4105 Fieldstone Rd, Champaign, IL 61822- USA

Horizon Hobby, Inc. guarantees this kit to be free from defects in both material and workmanship at the date of purchase. This warranty does not cover any parts damage by use or modification. In no case shall Horizon Hobby's liability exceed the original cost of the purchased kit. Further, Horizon Hobby reserves the right to change or modify this warranty without notice. In that Horizon Hobby has no control over the final assembly or material used for the final assembly, no liability shall be assumed nor accepted for any damage resulting from the use by the user of the final user-assembled product. By the act of using the user-assembled product, the user accepts all resulting liability.

Once assembly of the model has been started, you must contact Horizon Hobby, Inc. directly regarding any warranty question that you have. Please do not contact your local hobby shop regarding warranty issues, even if that is where you purchased it. This will enable Horizon to better answer your questions and service you in the event that you may need any assistance. If the buyer is not prepared to accept the liability associated with the use of this product, the buyer is advised to return this kit immediately in new and unused condition to the place of purchase.

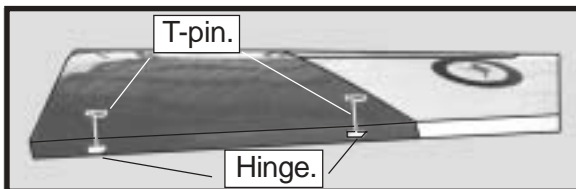
Horizon Hobby
4105 Fieldstone Road
Champaign, Illinois 61822
(217) 355-9511

HINGING THE AILERONS.

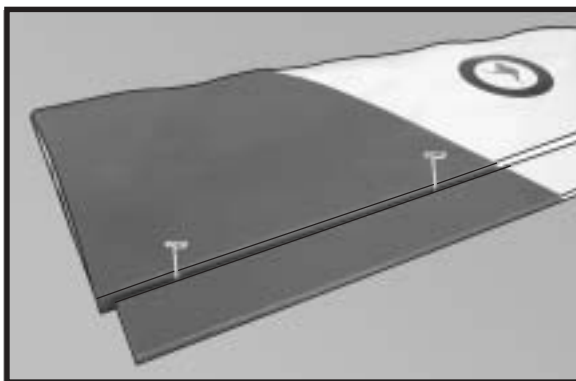
Note: *The control surfaces, including the ailerons, elevators, and rudder, are prehinged with hinges installed, but the hinges are not glued in place. It is imperative that you properly adhere the hinges in place per the steps that follow using a high-quality thin C/A glue.*

□ 1) Carefully remove the aileron from one of the wing panels. Note the position of the hinges.

□ 2) Remove each hinge from the wing panel and aileron and place a T-pin in the center of each hinge. Slide each hinge into the wing panel until the T-pin is snug against the wing panel. This will help ensure an equal amount of hinge is on either side of the hinge line when the aileron is mounted to the aileron.



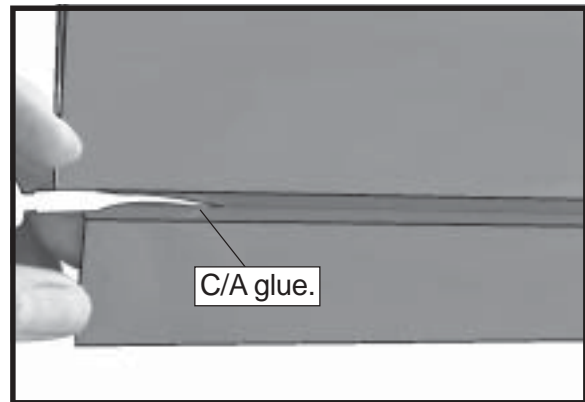
□ 3) Slide the wing panel on the aileron until there is only a slight gap. The hinge is now centered on the wing panel and aileron. Remove the T-pins and snug the aileron against the wing panel. A gap of 1/64" or less should be maintained between the wing panel and aileron.



□ 4) Deflect the aileron and completely saturate each hinge with thin C/A glue. The aileron's front surface should lightly contact the wing during this procedure. Ideally, when the

hinges are glued in place, a 1/64" gap or less will be maintained throughout the length of the aileron to the wing panel hinge line.

Note: *The hinge is constructed of a special material that allows the C/A to wick or penetrate and distribute throughout the hinge, securely bonding it to the wood structure of the wing panel and aileron.*



□ 5) Turn the wing panel over and deflect the aileron in the opposite direction from the opposite side. Apply thin C/A glue to each hinge, making sure that the C/A penetrates into both the aileron and wing panel.

□ 6) Using C/A remover/debonder and a paper towel, remove any excess C/A glue that may have accumulated on the wing or in the aileron hinge area.

□ 7) Repeat this process with the other wing panel, securely hinging the aileron in place.

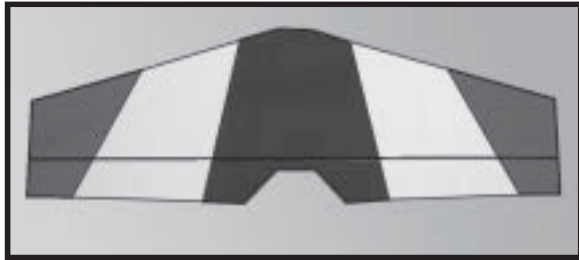
□ 8) After both ailerons are securely hinged, firmly grasp the wing panel and aileron to make sure the hinges are securely glued and cannot be pulled out. Do this by carefully applying medium pressure, trying to separate the aileron from the wing panel. Use caution not to crush the wing structure.



Note: *Work the aileron up and down several times to "work in" the hinges and check for proper movement.*

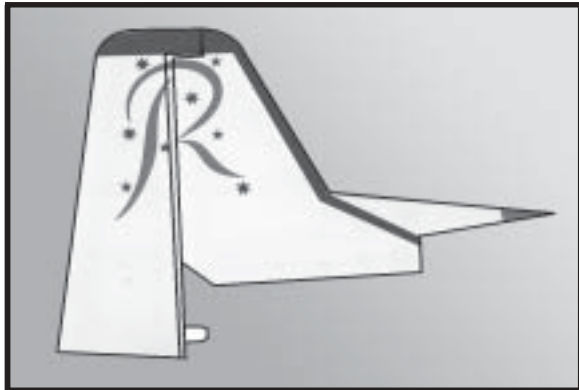
HINGING THE ELEVATOR.

Glue the elevator hinges in place using the same techniques used to hinge the ailerons.



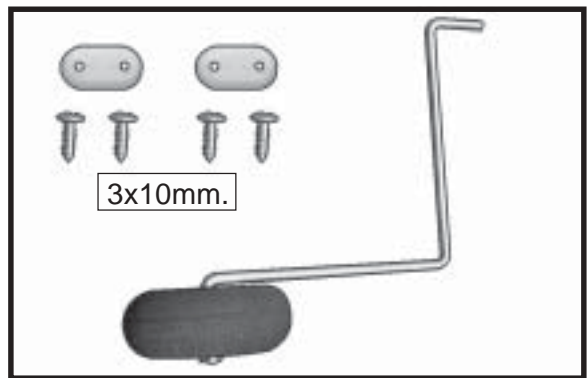
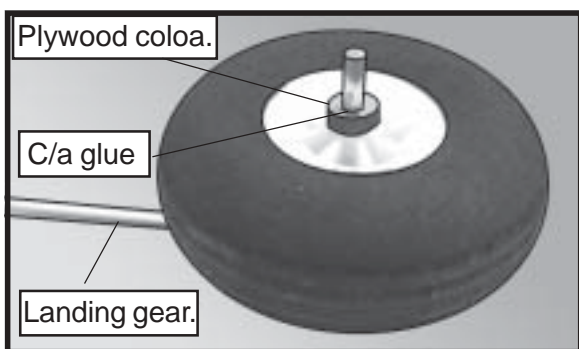
HINGING THE RUDDER.

Glue the rudder hinges in place using the same techniques used to hinge the ailerons.



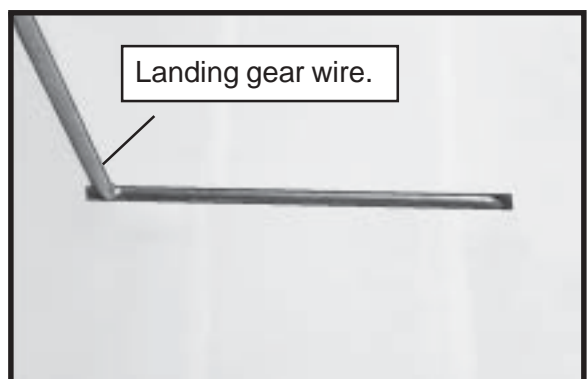
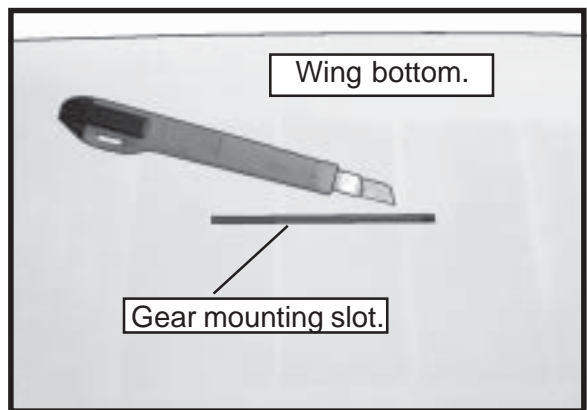
INSTALLING THE MAIN GEAR WIRES.

Assemble and mounting the wheel as shown in the following pictures.

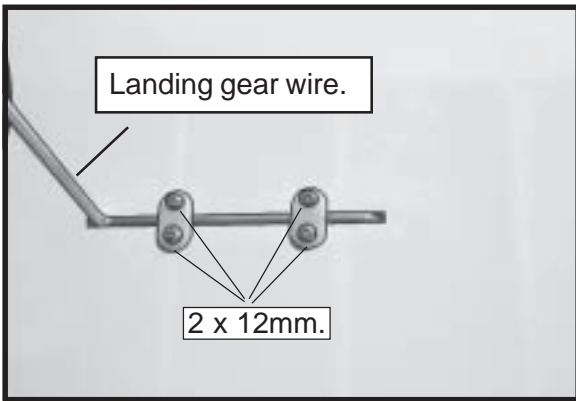


□ 2) Using a modeling knife, remove the covering from over the two main gear mounting slots located in the bottom of the wing.

□ 3) Insert the 90° bend of one main gear wire into the predrilled hole in one mounting slot.



□ 4) The landing gear wire is held in place using two nylon landing gear straps and four 2mm x 12mm wood screws.

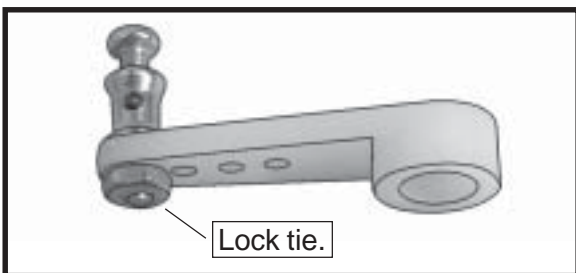


- 6) Reinstall the gear wire and install the straps using the four 2 x 12mm wood screws. Tighten the screws completely to secure the gear wire in place.

AILERON SERVOS-LINKAGES.

- 1) Install the metal connector onto servo arm as same as picture below.

Attach the micro control connector to the servo arms. Be sure to use the lock tie but it could free rotation .



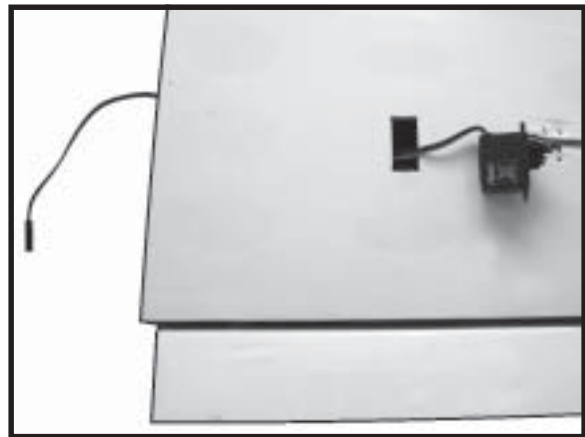
- 2) Turn the wing panel right side up. Using a modeling knife, remove the covering at servo tray.

Install the rubber grommets and brass collets onto the aileron servo. Test fit the servo into the aileron servo mount.

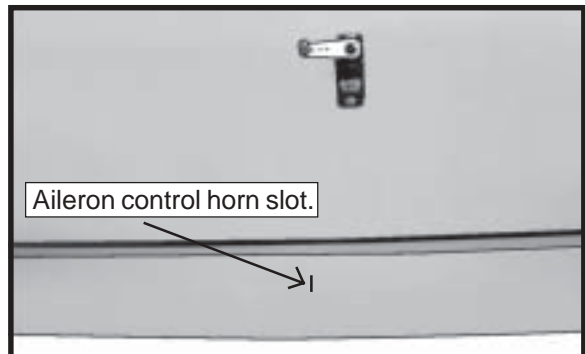
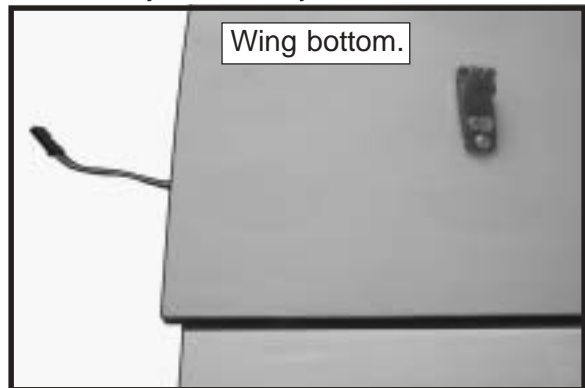


Because the size of servos differ, you may need to adjust the size of the precut opening in the mount. The notch in the sides of the mount allow the servo lead to pass through.

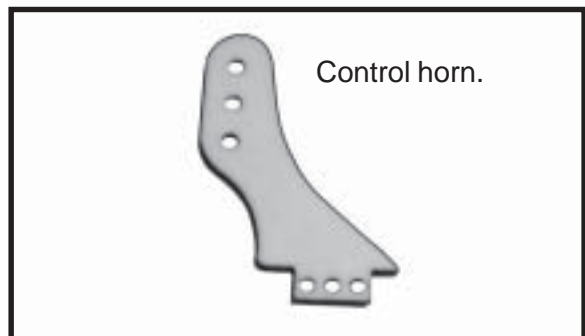
Attach the thread to the servo lead and carefully thread it through the wing.

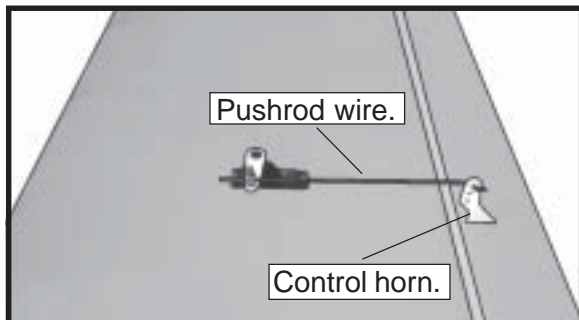
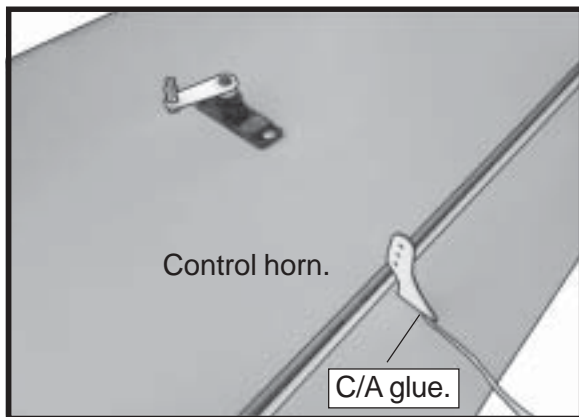


- 3) Secure the servos with the screws provided with your radio system.



- 4) Insert aileron control horn to the aileron. as same as picture below.

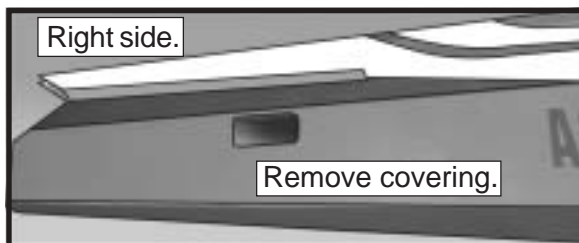




Repeat the procedure for other wing haft.

FUSELAGE SERVO INSTALLATION.

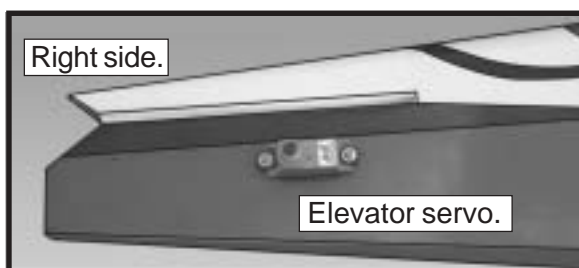
- 1) Locate and cut out the covering film from the servo holes in both sides of fuselage.



- 2) Install the rubber grommets and brass collets onto the elevator servo. Test fit the servo into the elevator servo mount.

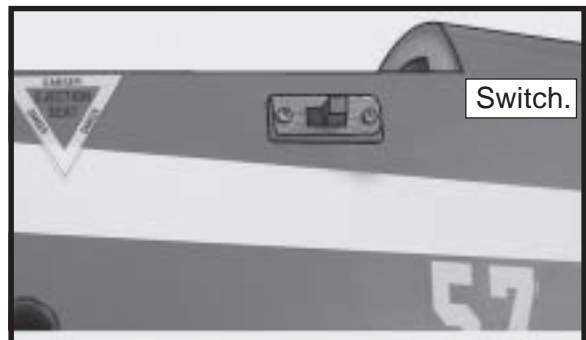
! *Because the size of servos differ, you may need to adjust the size of the pre-cut opening in the mount. The notch in the sides of the mount allow the servo lead to pass through.*

- 3) Secure the servos with the screws provided with your radio system.



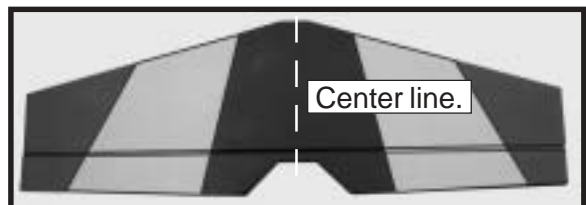
INSTALLING THE SWITCH.

Install the switch into the pre-cut hole in the side, in the fuselage.



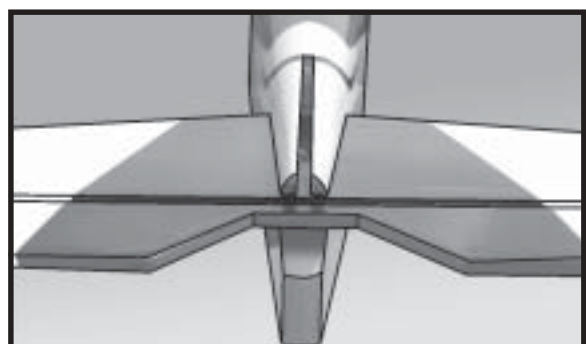
HORIZONTAL STABILIZER.

- 1) Using a ruler and a pen, locate the centerline of the horizontal stabilizer, at the trailing edge, and place a mark. Use a triangle and extend this mark, from back to front, across the top of the stabilizer. Also extend this mark down the back of the trailing edge of the stabilizer.

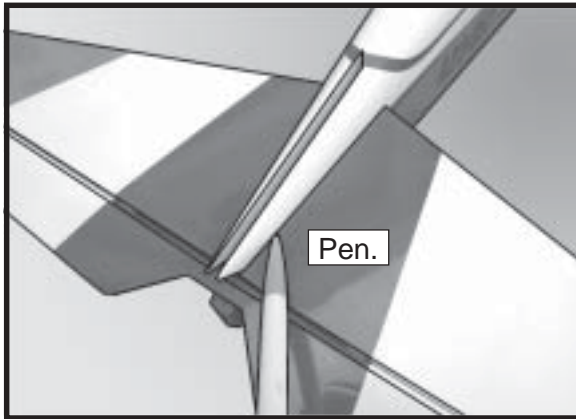


- 2) Using a modeling knife, carefully remove the covering at mounting slot of horizontal stabilizer (both side of fuselage).

- 3) Slide the stabilizer into place in the pre-cut slot in the rear of the fuselage. The stabilizer should be pushed firmly against the front of the slot.




□ 4) With the stabilizer held firmly in place, use a pen and draw lines onto the stabilizer where it and the fuselage sides meet. Do this on both the right and left sides and top and bottom of the stabilizer.

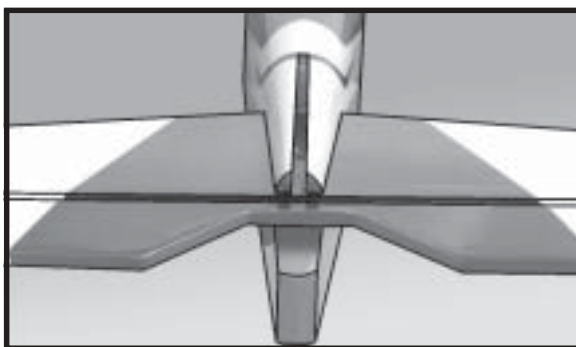


□ 5) Remove the stabilizer. Using the lines you just drew as a guide, carefully remove the covering from between them using a modeling knife.

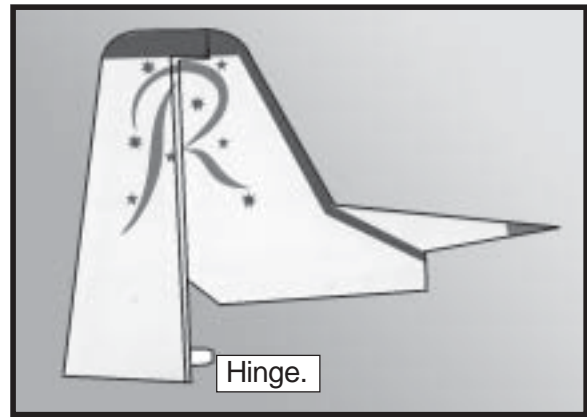


 *When cutting through the covering to remove it, cut with only enough pressure to only cut through the covering itself. Cutting into the balsa structure may weaken it.*

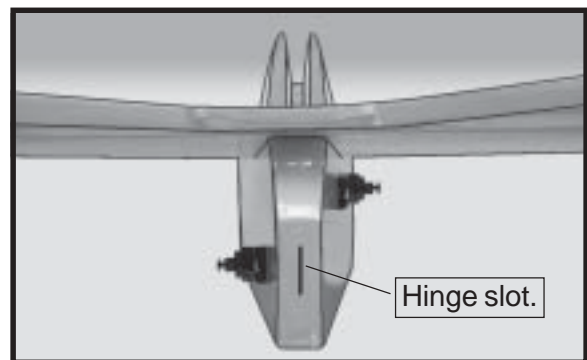
□ 6) When you are sure that everything is aligned correctly, apply C/A glue to the top and bottom of the stabilizer mounting area and to the stabilizer mounting platform sides.



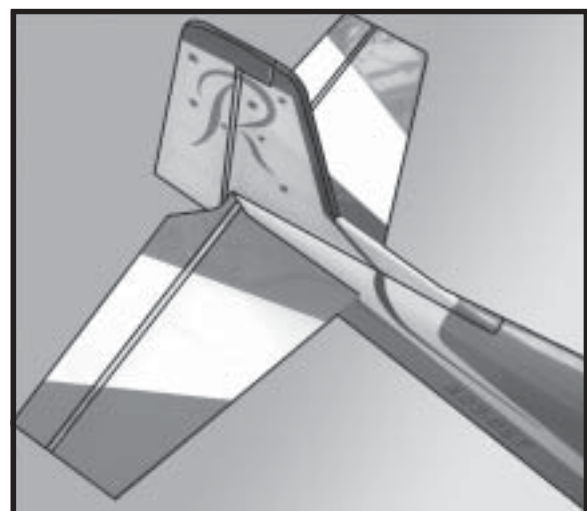
VERTICAL STABILIZER INSTALLATION.



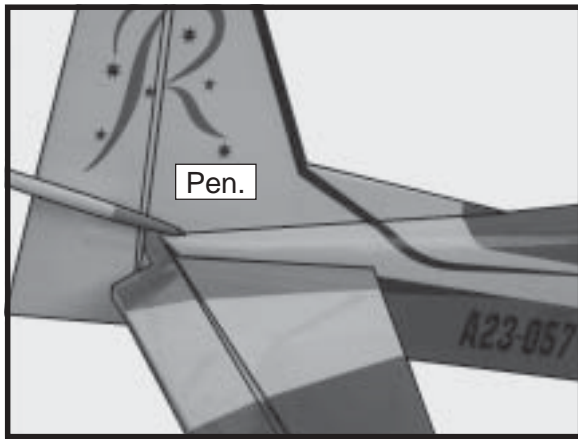
□ 1) Using a modeling knife, remove the covering from over the precut hinge slot cut into the lower rear portion of the fuselage. This slot accepts the lower rudder hinge.




□ 2) Slide the vertical stabilizer into the slot in the top of the fuselage. The rear edge of the stabilizer should be flush with the rear edge of the fuselage and the lower rudder hinge should engage the precut hinge slot in the lower fuselage. The bottom edge of the stabilizer should also be firmly pushed against the top of the horizontal stabilizer.

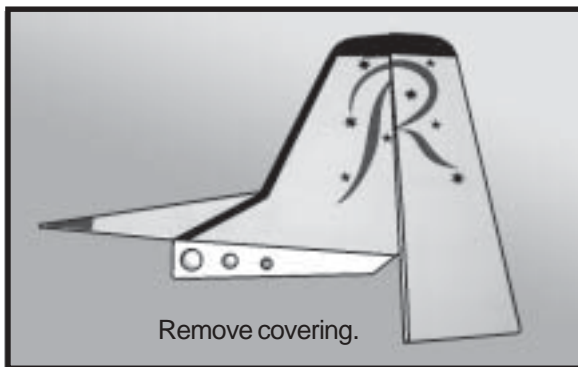


□ 3) While holding the vertical stabilizer firmly in place, use a pen and draw a line on each side of the vertical stabilizer where it meets the top of the fuselage.

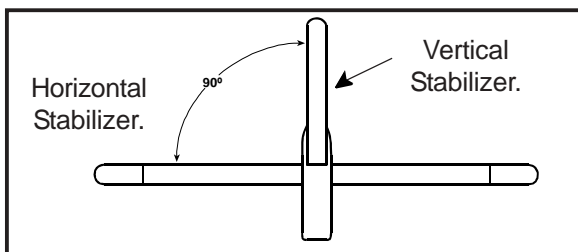


□ 4) Remove the stabilizer. Using a modeling knife, remove the covering from below the lines you drew. Also remove the covering from the bottom edge of the stabilizer and the bottom and top edges of the filler block. Leave the covering in place on the sides of the filler block.

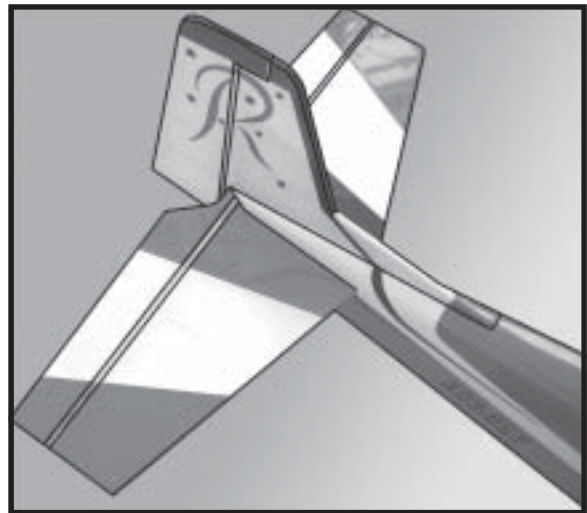
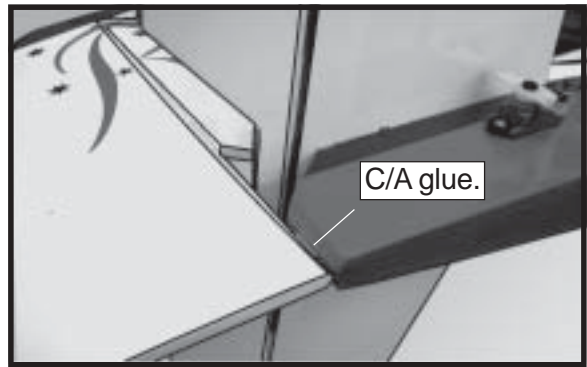
 *When cutting through the covering to remove it, cut with only enough pressure to only cut through the covering itself. Cutting into the balsa structure may weaken it.*



□ 5) Slide the vertical stabilizer back in place. Using a triangle, check to ensure that the vertical stabilizer is aligned 90° to the horizontal stabilizer.

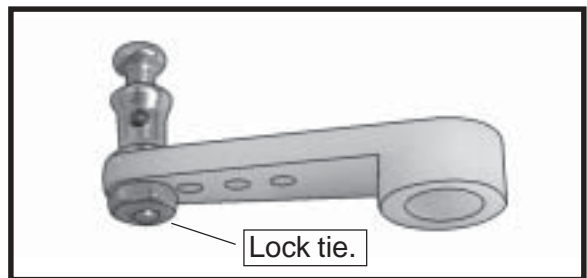


□ 6) When you are sure that everything is aligned correctly, apply C/A glue to fix them.



SERVO ARM INSTALLATION.

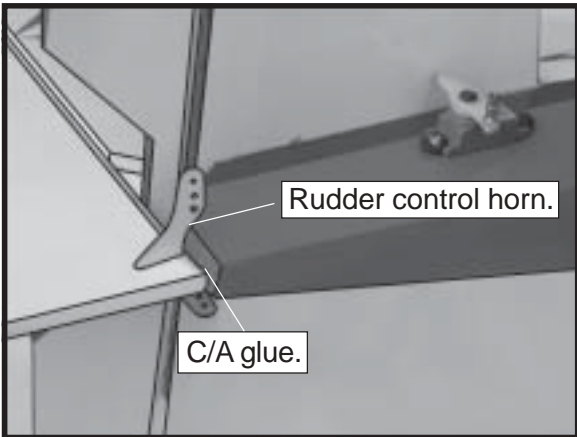
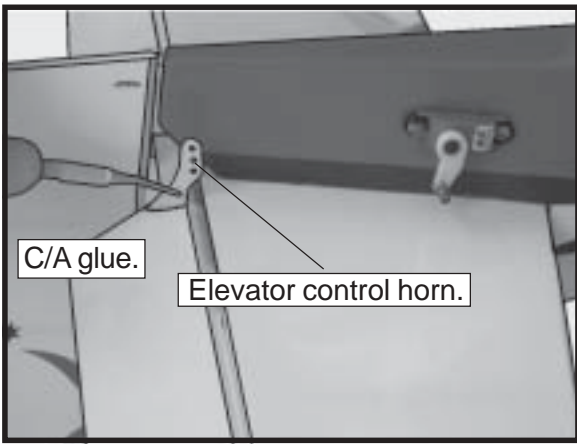
Attach the micro control connector to the servo arms. Be sure to use the lock tie but it could free rotation .



CONTROL HORN INSTALLATION.

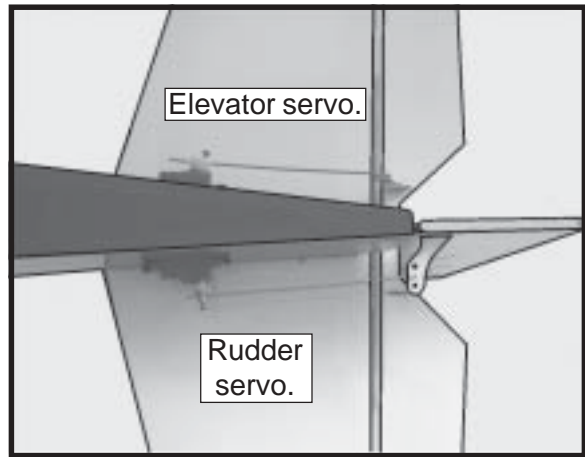
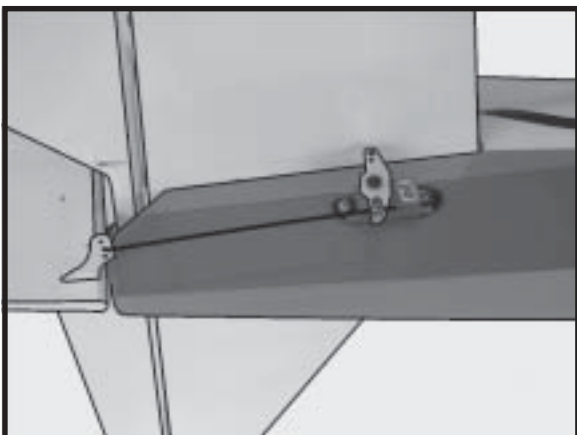
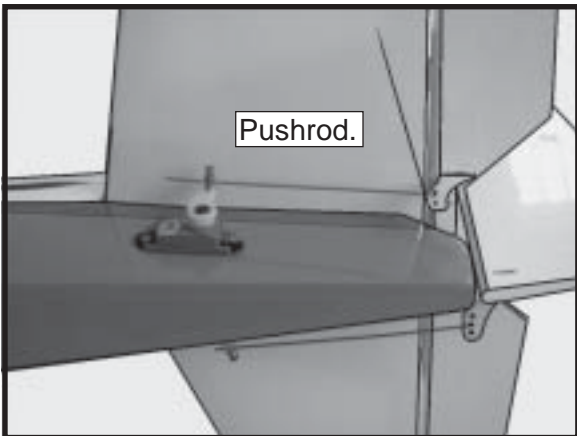
Control horn install as same as method of aileron wing. See pictures below.



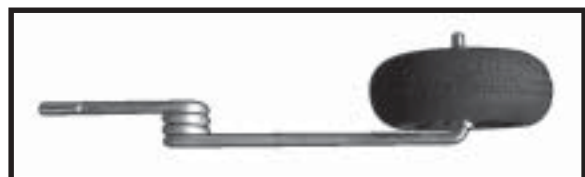
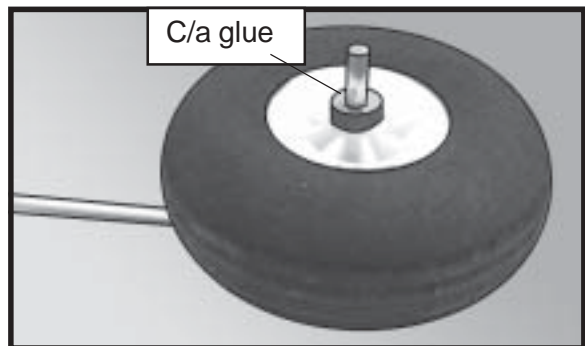
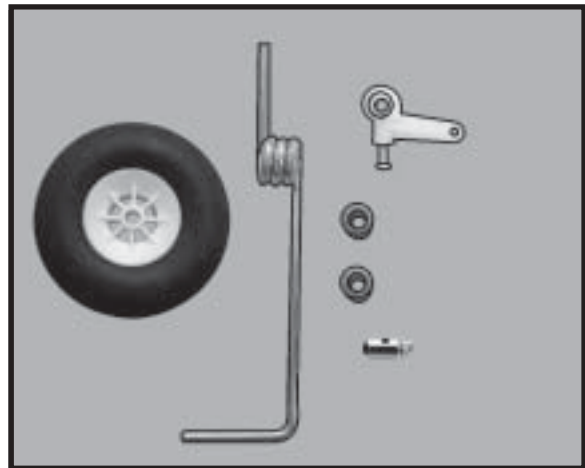


PUSHROD INSTALLATION.

Pushrod install as same as method of pushrod wing. See pictures below.

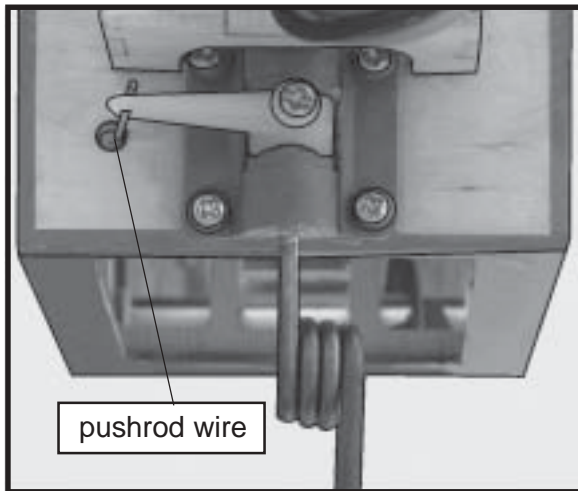


NOSE GEAR INSTALLATION.



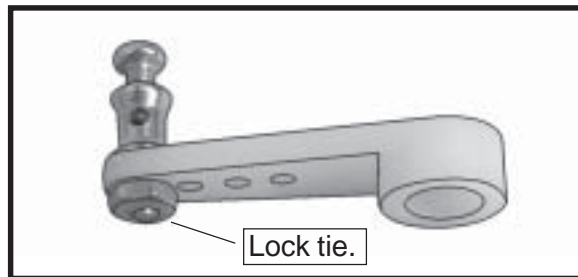
Adjust the nose gear steering arm until the arm is parallel with the fire wall.

Install the pushrod wire as shown.



INSTALLING THE STEERING ARM SERVO.

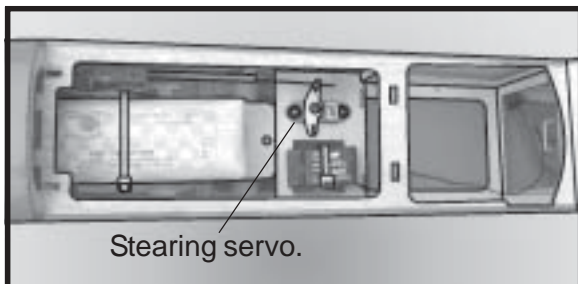
Attach the micro control connector to the servo arms. Be sure to use the lock tie but it could free rotation .



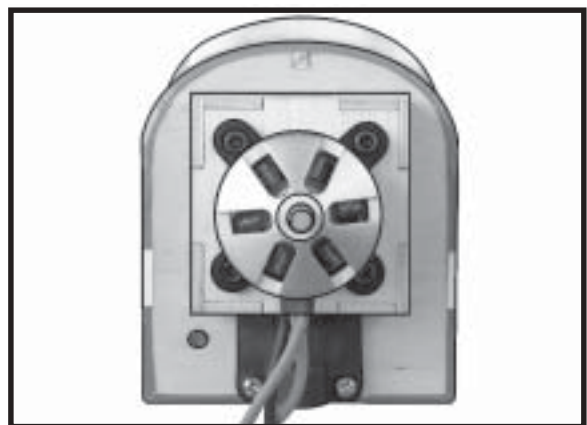
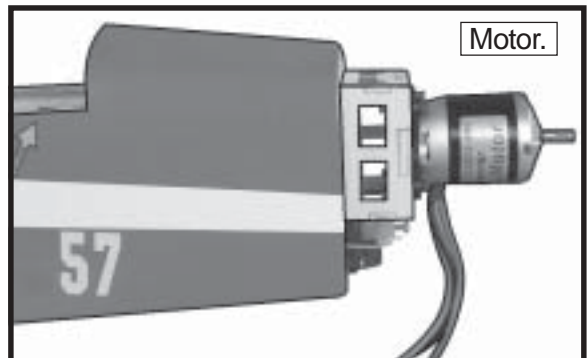
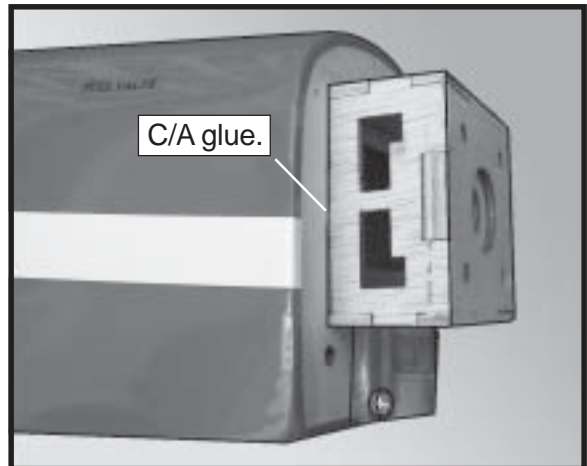
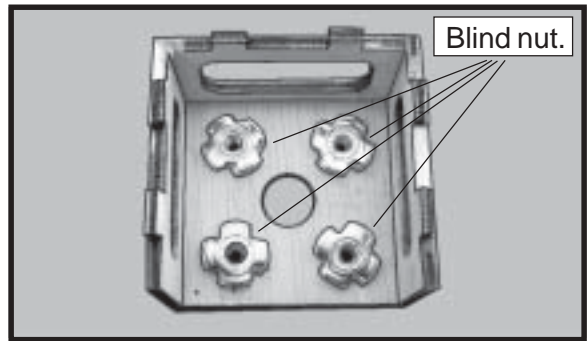
- 1) Install the rubber grommets and brass collets onto the steering servo. Test fit the servo into the steering servo mount.

! *Because the size of servos differ, you may need to adjust the size of the precut opening in the mount. The notch in the sides of the mount allow the servo lead to pass through.*

- 2) Secure the servos with the screws provided with your radio system.

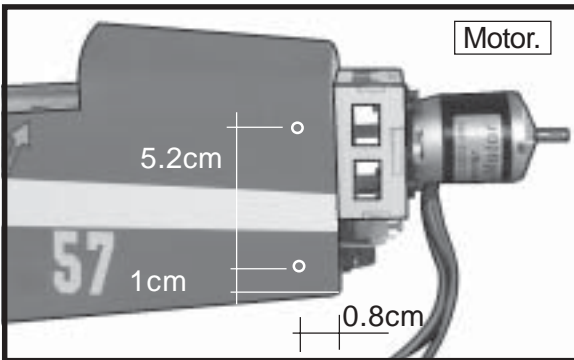


INSTALLING ELECTRIC MOTOR.



COWLING INSTALLATION.

- 1) Using a pen to mark the points following the instruction below.

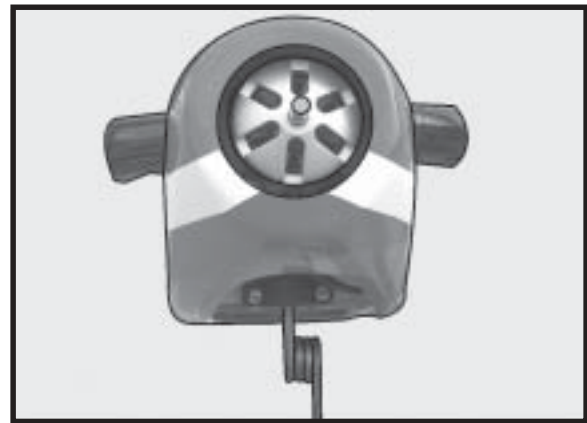


□ 2) Slide the fiberglass cowl over the engine and line up the back edge of the cowl with the marks you made on the fuselage then trim and cut.



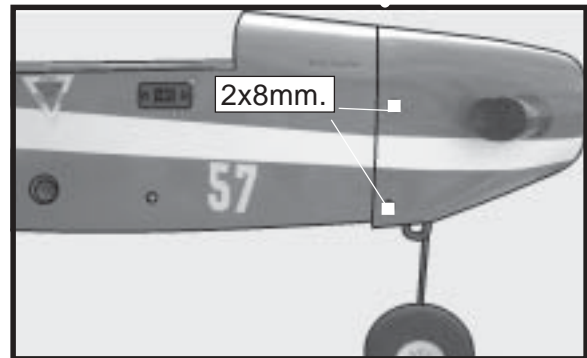
□ 3) While keeping the back edge of the cowl flush with the marks, align the front of the cowl with the crankshaft of the motor. The front of the cowl should be positioned so the crankshaft is in **nearly** the middle of the cowl opening. Use the spinner backplate as a guide. Hold the cowl firmly in place using pieces of masking tape.

□ 4) Slide the cowl back over the motor.



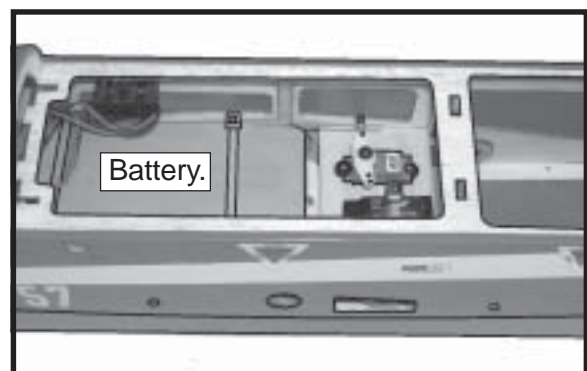
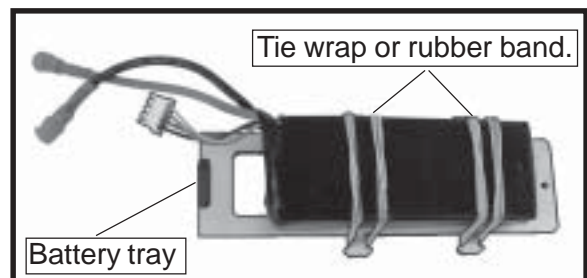
! *The propeller should not touch any part of the spinner cone. If it does, use a sharp modeling knife and carefully trim away the spinner cone where the propeller comes in contact with it.*

□ 5) Secure the cowl with the screw provide with hardware.



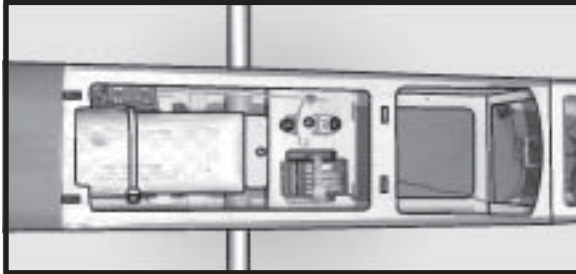
INSTALLING THE BATTERY-RECEIVER.

See pictures below.

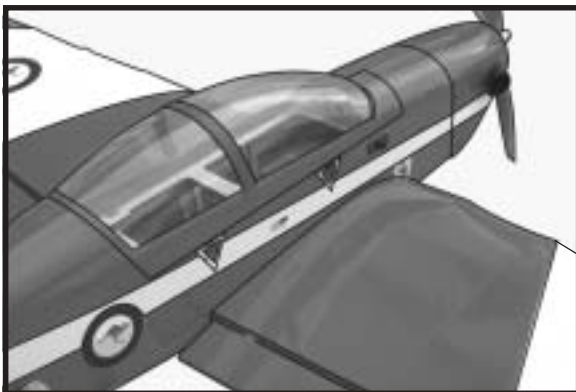
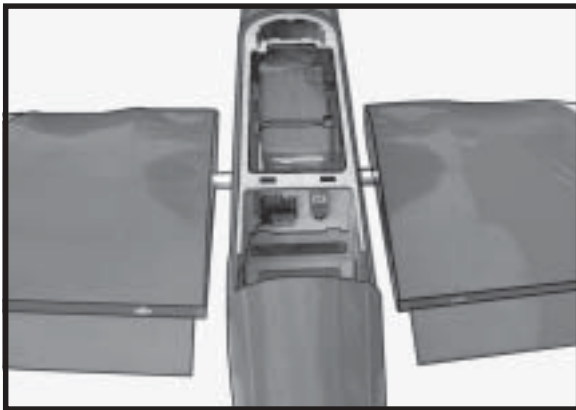


ATTACHMENT WING-FUSELAGE.

Attach the aluminium tube into fuselage.



Insert two wing panels as pictures below:



BALANCING.

□1) It is critical that your airplane be balanced correctly. Improper balance will cause your plane to lose control and crash. The center of gravity is locate **5.5-6.5cm** back from the leading edge of the wing, measured at wing tip.

□2) If the nose of the plane falls, the plane is nose heavy. To correct this first move the battery pack further back in the fuselage. If this is not possible or does not correct it, stick small amounts of lead weight on the fuselage sides under the horizontal stabilizer. If the tail of the plane falls, the plane is tail heavy. To correct this, move the battery and receiver forward or if this is not possible, stick weight onto the firewall. When balanced correctly, the airplane should sit level or slightly nose down when you lift it up with your fingers.

CONTROL THROWS.

□1) We highly recommend setting up the **EP-PC9** using the control throws listed at right. We have listed control throws for both Low Rate (initial test flying/sport flying) and High Rate (aerobatic flying).

□2) Turn on the radio system, and with the trim tabs on the transmitter in neutral, center the control surfaces by making adjustments to the clevises or adjustable servo connectors. The servo arms should be centered also.

□ 3) When the elevator, rudder and aileron control surfaces are centered, use a ruler and check the amount of the control throw in each surface. **The control throws should be measured at the widest point of each surface!**

INITIAL FLYING/SPORT FLYING

Ailerons:	3/8" up	3/8" down
Elevator:	3/8" up	3/8" down
Rudder:	1/2" right	1/2" left

AEROBATIC FLYING

Ailerons:	1/2" up	1/2" down
Elevator:	5/8" up	5/8" down
Rudder:	1" right	1" left

Do not use the aerobatic settings for initial test flying or sport flying.

□ 4) By moving the position of the adjustable control horn out from the control surface, you will decrease the amount of throw of that control surface. Moving the adjustable control horn toward the control surface will increase the amount of throw.

FLIGHT PREPARATION.

- A) Check the operation and direction of the elevator, rudder, ailerons and throttle.
- B) Plug in your radio system per the manufacturer's instructions and turn everything on.
- C) Check the elevator first. Pull back on the elevator stick. The elevator halves should move up. If they do not, flip the servo reversing switch on your transmitter to change the direction.
- D) Check the rudder. Looking from behind the airplane, move the rudder stick to the right. The rudder should move to the right. If it does not, flip the servo reversing switch on your transmitter to change the direction.
- E) Check the throttle.
- F) From behind the airplane, look at the aileron on the right wing half. Move the aileron stick to the right. The right aileron should move up and the other aileron should move down. If it does not, flip the servo reversing switch on your transmitter to change the direction.

PREFLIGHT CHECK.

- 1) Completely charge your transmitter and receiver batteries before your first day of flying.
- 2) Check every bolt and every glue joint in the **EP-PC9** to ensure that everything is tight and well bonded.
- 3) Double check the balance of the airplane. Do this with the fuel tank empty.
- 4) Check the control surfaces. All should move in the correct direction and not bind in any way.
- 5) If your radio transmitter is equipped with dual rate switches double check that they are on the low rate setting for your first few flights.
- 6) Check to ensure the control surfaces are moving the proper amount for both low and high rate settings.
- 7) Check the receiver antenna. It should be fully extended and not coiled up inside the fuselage.
- 8) Properly balance the propeller. An out of balance propeller will cause excessive vibration which could lead to engine and/or airframe failure.

We wish you many safe and enjoyable flights with your EP-PC9.